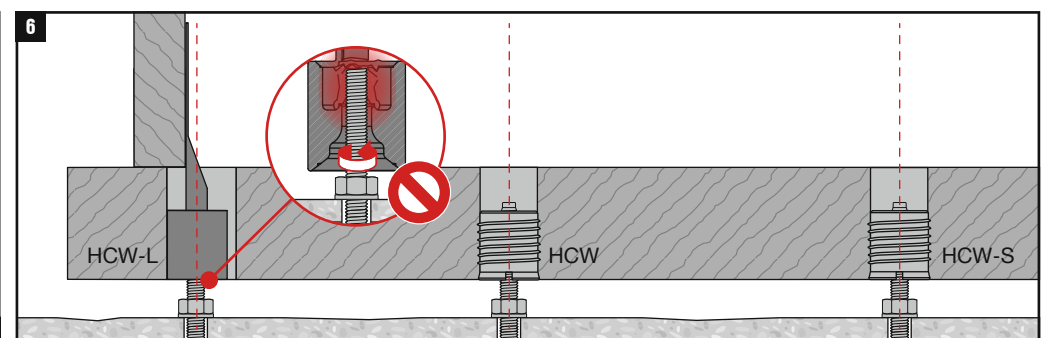
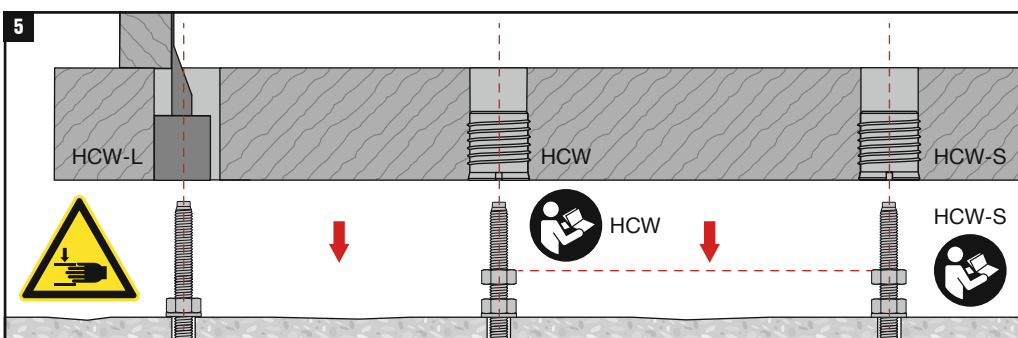
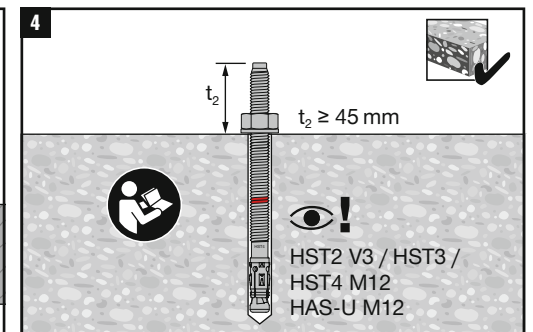
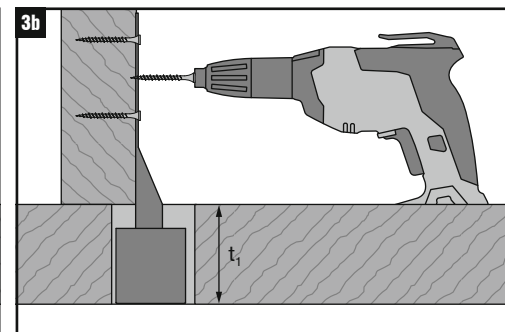
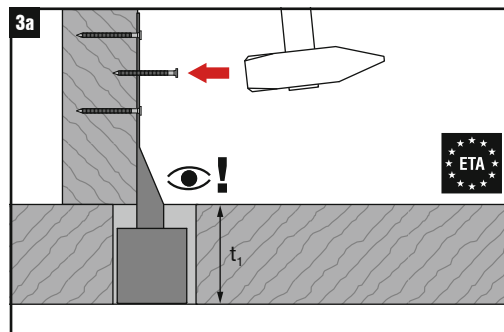
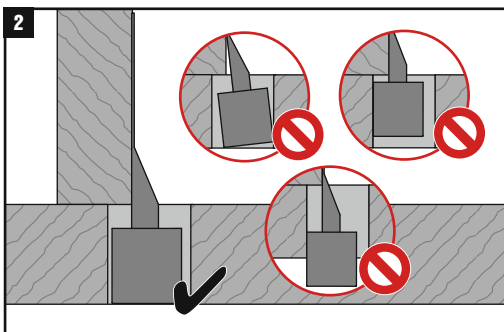
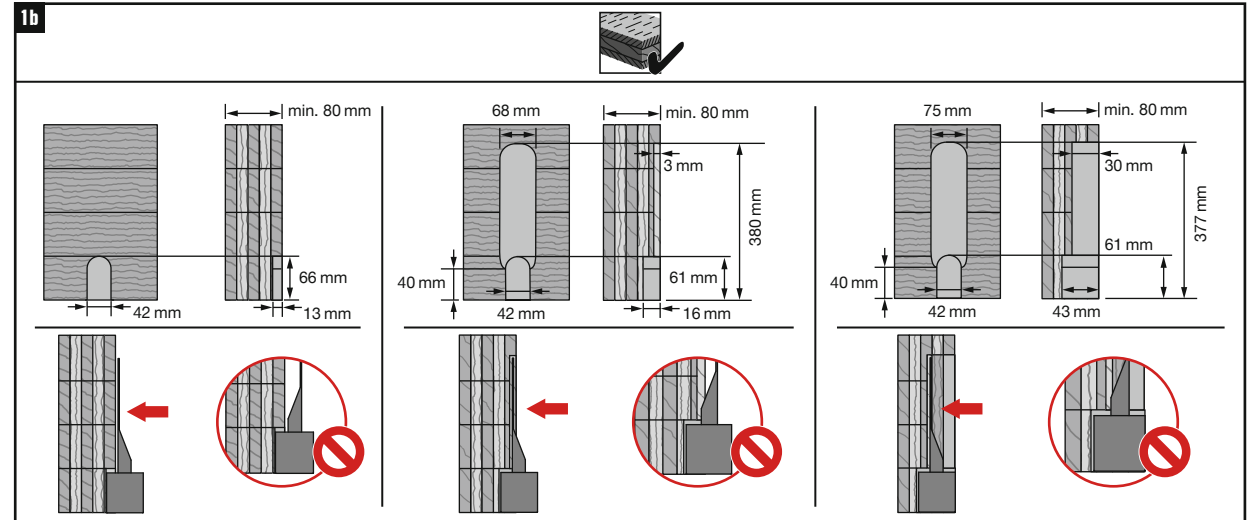
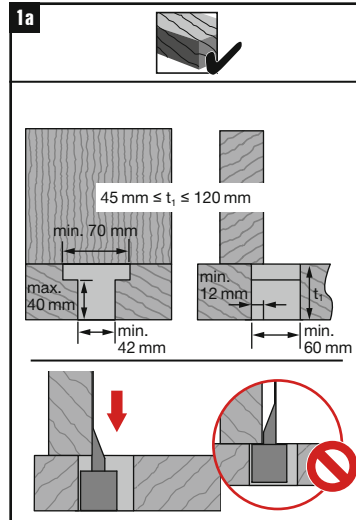




2453168-03.2025



	HCW-L 40×375 M12
	HAS-U M12
	+ Hilti HIT-HY
	HST2 V3 / HST3 / HST4 M12
	SIW 6 SIW 8 SF 10W
	ø 4 mm $l \geq 35$ mm
	ø 5 mm $l \geq 35$ mm





	HCW-L 40×375 M12
	HSW M12×220/60 8.8 M12×140 4.6
	SIW 6 SIW 8 SF 10W

	ø 4 mm	l ≥ 35 mm
	ø 5 mm	l ≥ 35 mm

